



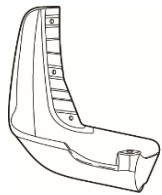
# GENUINE PARTS

## INSTALLATION INSTRUCTIONS

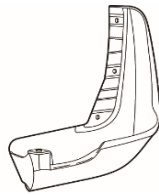
<b>DESCRIPTION:</b>	Splash Guard - Front Kit
<b>APPLICATION:</b>	QX60
<b>PART NUMBER:</b>	999J2 R4xxx03 (x Designates color)

**KIT CONTENTS:**

Item	Qty.	Part Description	Service Part Number
A	1	Splash Guard - Front Left	---
B	1	Splash Guard - Front Right	---
C	1	Installation Instruction Replacement Template	999V2 AW000
D	1	Installation Hardware Kit	---
E	6	• Phillips Screw M5 x 20mm	14-51 00891



A



B



C



E

**TOOLS REQUIRED:**

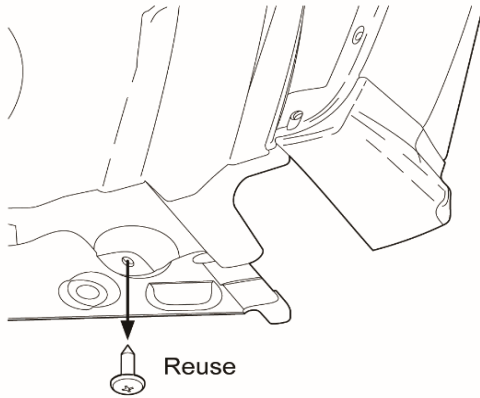
- Phillips head short screwdriver
- Mild soap / water mixture
- Clean, lint-free wiping cloth

**PRE-INSTALLATION WARNINGS, CAUTIONS, CRITICAL STEPS, and NOTES:**

- Dealer Installation Recommended. Instructions may refer to Service Manual.
- These instructions are for left side of vehicle; same procedure applies to right side.

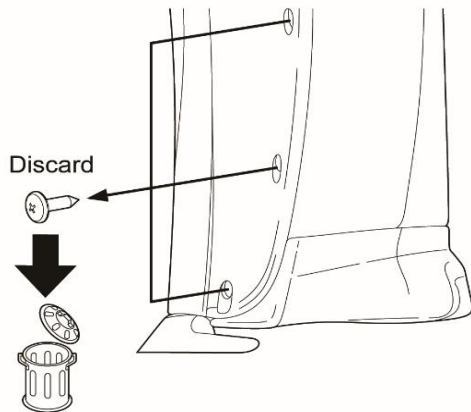
## INSTALLATION PROCEDURE:

Fig. 1



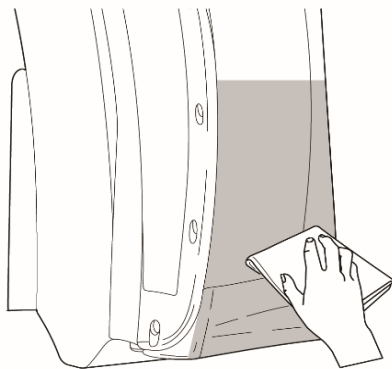
1) Remove screws from fender protector.

Fig. 2



2) Remove screws from fender protector and discard.

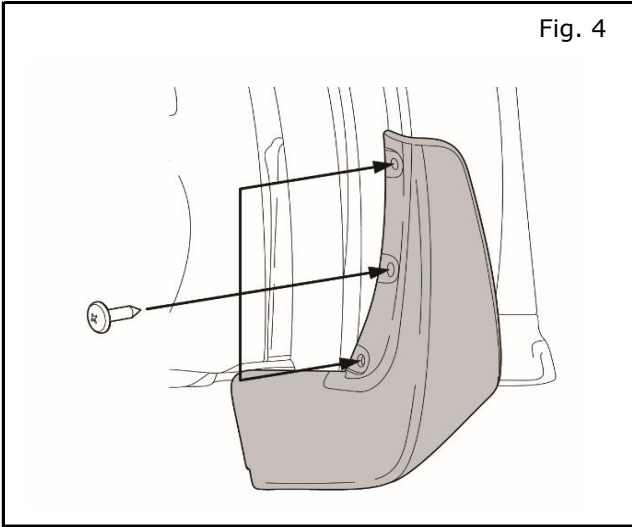
Fig. 3



3) Clean installation surface (shaded area) with mild soap/water mixture.

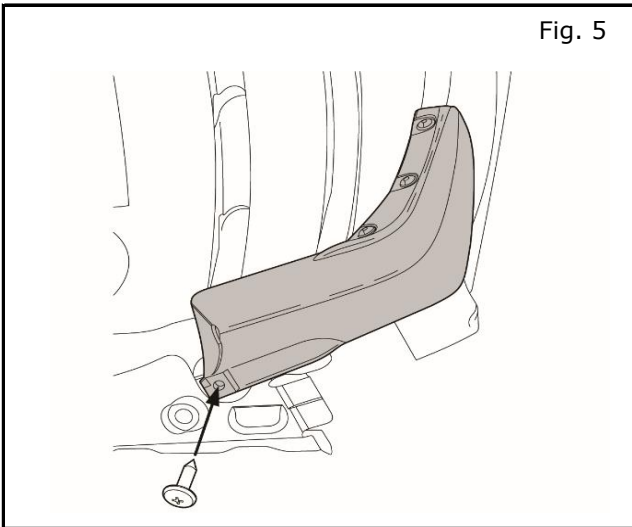
**INSTALLATION PROCEDURE:**

Fig. 4



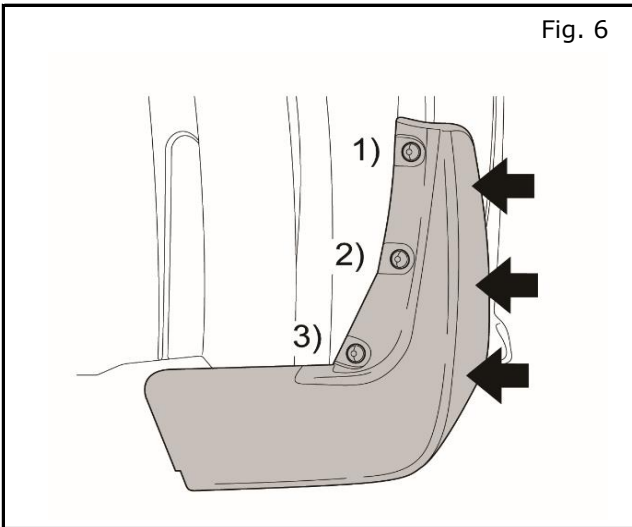
4) Loosely install screws.

Fig. 5



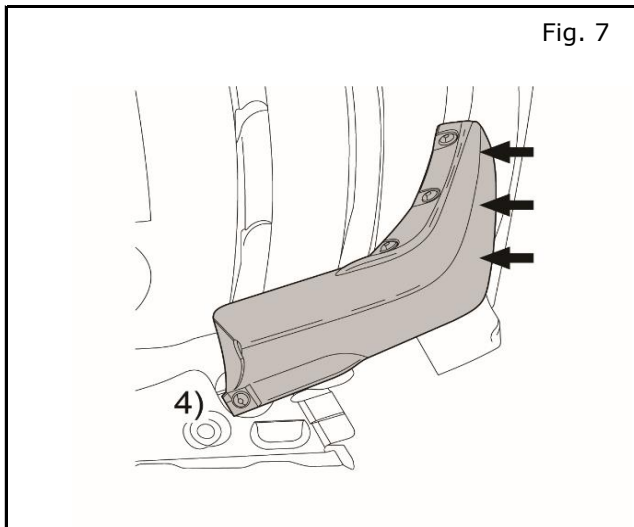
5) Loosely install screw.

Fig. 6

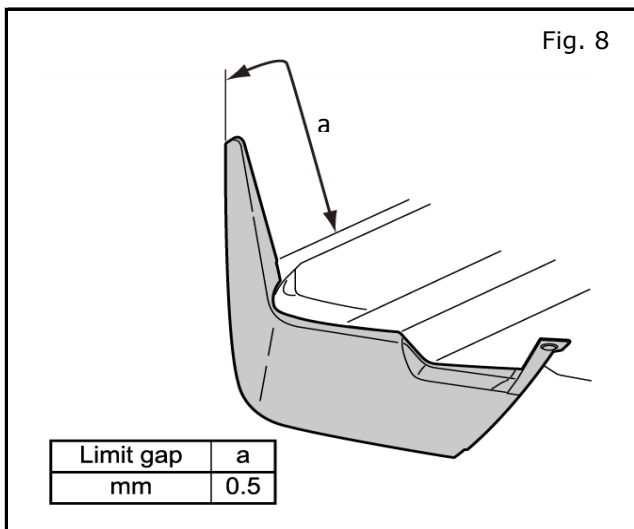


6) While pushing splash guard inward, tighten screws in sequence shown.

**INSTALLATION PROCEDURE:**



- 7) While pushing splash guard inward, tighten screws #4 as show in Fig. 7.



**INSTALLATION PROCEDURE:**

**ACCESSORY CHECK:**

- Check all torque values.
- Check gap. See Fig.8.
- Clean the fenders and sill covers near the installation areas of the vehicle.

**FINAL INSPECTION:**

- Verify exterior is not damaged.